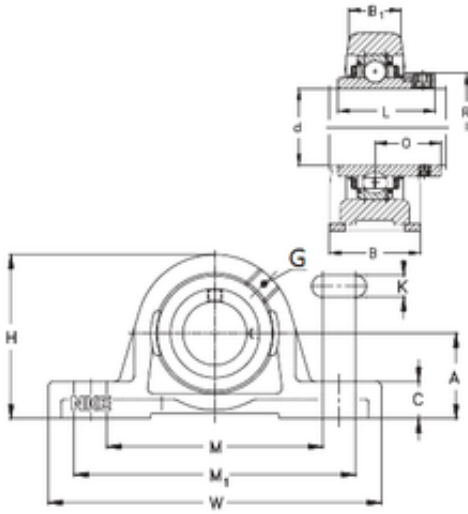




NKE PASE50-N unit é s de roulement

Bearing No. PASE50-N



PASE50-N Bearing 2D drawings and 3D CAD models

Bore Diameter	50 mm
Width	54 mm
d	50 mm
O	32,7 mm
A	57,2 mm
B	54 mm
B1	34 mm
C	21,5 mm
H	115 mm
K	18 mm
L	43,7 mm
M	153 mm
M1	163 mm
R	69 mm
W	200 mm
Thread (G)	R1/8 "