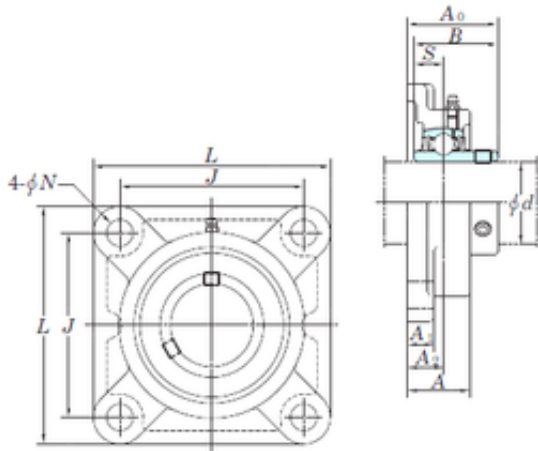




KOYO UCF207-23 unit é s de roulement



Bearing No. UCF207-23

Bore Diameter	36,5125 mm
d	36,5125 mm
A0	44,4 mm
A	34 mm
A1	15 mm
B	42,9 mm
J	92 mm
L	117 mm
N	14 mm
S	17,5 mm
Bolt (G)	M12
A2	19 mm
Weight	1,5 Kg
Basic dynamic load rating (C)	25,7 kN
Basic static load rating (C0)	15,4 kN

UCF207-23 Bearing 2D drawings and 3D CAD models