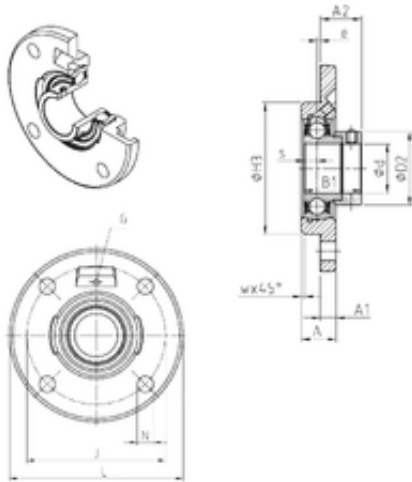




GJ Manufacturing Co., Ltd.



ESFCE206 Bearing 2D drawings and 3D CAD models

SNR ESFCE206 unit é s de roulement

Bearing No. ESFCE206

Bore Diameter	30 mm
d	30 mm
H3	80 mm
e	2 mm
s	9 mm
A	21 mm
A1	9,5 mm
B1	35,7 mm
D2	44,5 mm
J	100 mm
L	125 mm
N	11,5 mm
W	2 mm
Thread (G)	M6x1
A2	24,7 mm
Weight	1 Kg
Basic dynamic load rating (C)	19,5 kN